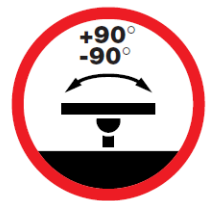
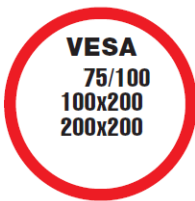
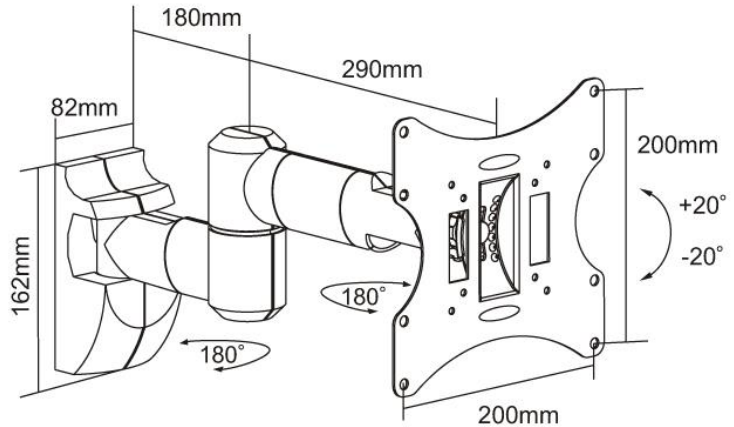


reflecta FLEXPLO 40-300 (silber) & FLEXPLO 40-300B (schwarz)



Product information:

- Universal full motion TV wall mount
- Max loading weight 30 kg
- 10 – 40“ (25 -102 cm)
- Vesa: 75x75, 100x100, 100x200, 200x200
- Distance to wall: max 47cm
- Tilt: +/-20°
- Swivel: +/-90°

Art.-Nr.: 23109 (silver) & 23112 (black)
 EAN: 4005039231094 (silver) &
 4005039231124 (black)

Specifications subject to change without notice.



reflecta gmbh

Merkurstrasse 8
 D 72184 Eutingen

Phone: +49 (0) 7457 9465-60

Fax: +49 (0) 7457 9465-72

e-mail: mail@reflecta.de

http: www.reflecta.de