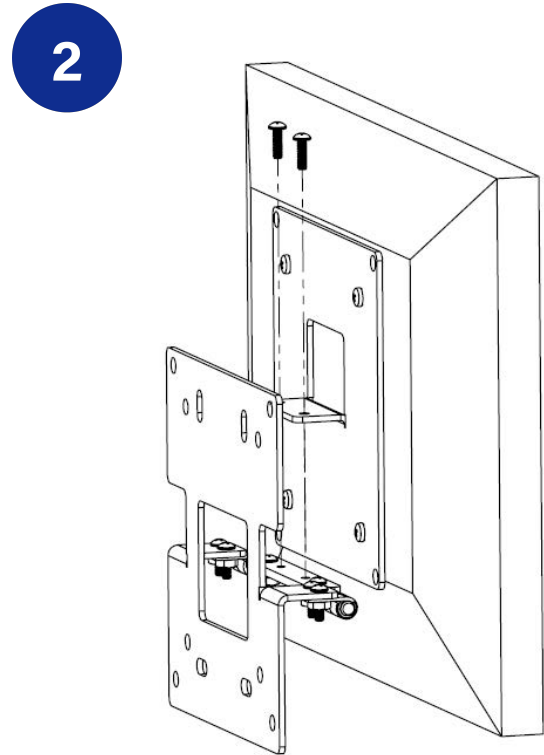
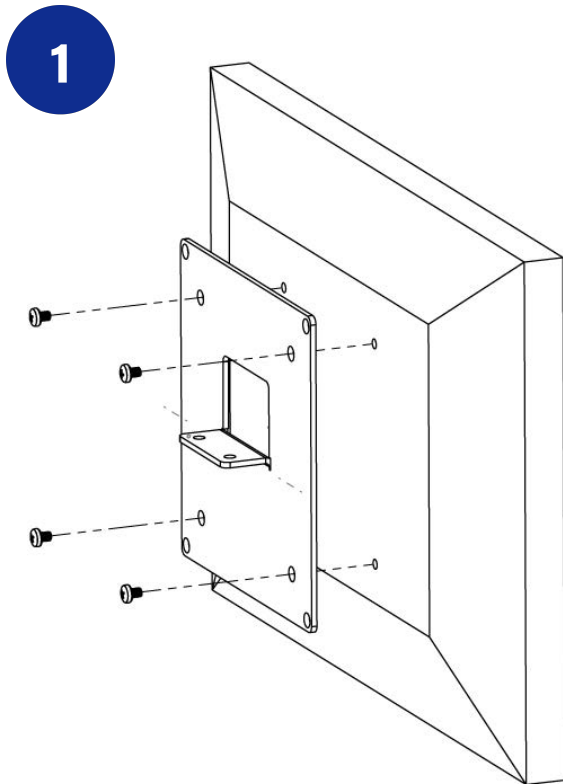


Installation Diagram for

Vaddio Device Controller Tilt Wall Mount

535-2100-300



What's Included

Some product photos do not show all included parts.

- Wall plate hinge assembly
- Device plate
- 4 qty self-drilling nylon drywall anchors
- 4 qty #8 x 1¼ in screws
- 4 qty M3-0.5 x 4 mm screws
- 2 qty #4-40 x ¾ in screws

