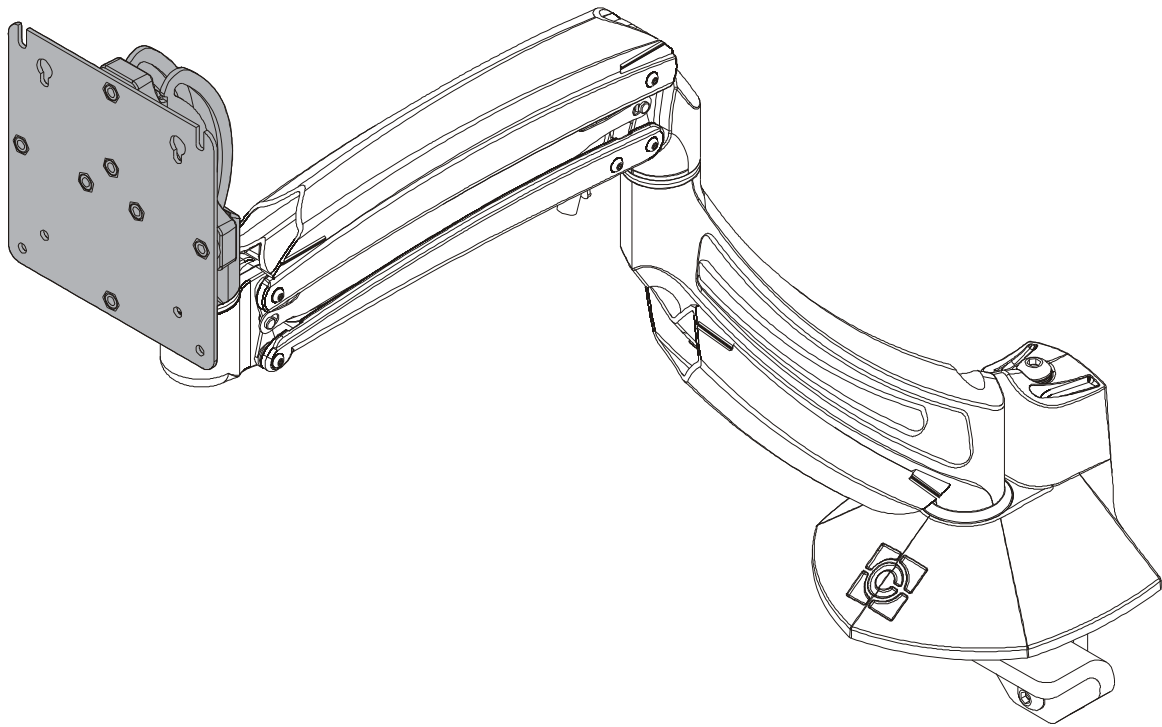

INSTALLATION INSTRUCTIONS



K1 Extreme Tilt Head Accessory

DISCLAIMER

Milestone AV Technologies and its affiliated corporations and subsidiaries (collectively "Milestone"), intend to make this manual accurate and complete. However, Milestone makes no claim that the information contained herein covers all details, conditions or variations, nor does it provide for every possible contingency in connection with the installation or use of this product. The information contained in this document is subject to change without notice or obligation of any kind. Milestone makes no representation of warranty, expressed or implied, regarding the information contained herein. Milestone assumes no responsibility for accuracy, completeness or sufficiency of the information contained in this document.

Chief® and Kontour™ are registered trademarks of Milestone AV Technologies. All rights reserved.

DEFINITIONS

MOUNTING SYSTEM: A MOUNTING SYSTEM is the primary Chief product to which an accessory and/or component is attached.

ACCESSORY: AN ACCESSORY is the secondary Chief product which is attached to a primary Chief product, and may have a component attached or setting on it.

COMPONENT: A COMPONENT is an audiovisual item designed to be attached or resting on an accessory or mounting system such as a video camera, CPU, screen, display, projector, etc.

WARNING: A WARNING alerts you to the possibility of serious injury or death if you do not follow the instructions.

CAUTION: A CAUTION alerts you to the possibility of damage or destruction of equipment if you do not follow the corresponding instructions.

! IMPORTANT SAFETY INSTRUCTIONS!

WARNING: Failure to read, thoroughly understand, and follow all instructions can result in serious personal injury, damage to equipment, or voiding of factory warranty! It is the installer's responsibility to make sure all accessories are properly assembled and installed using the instructions provided.

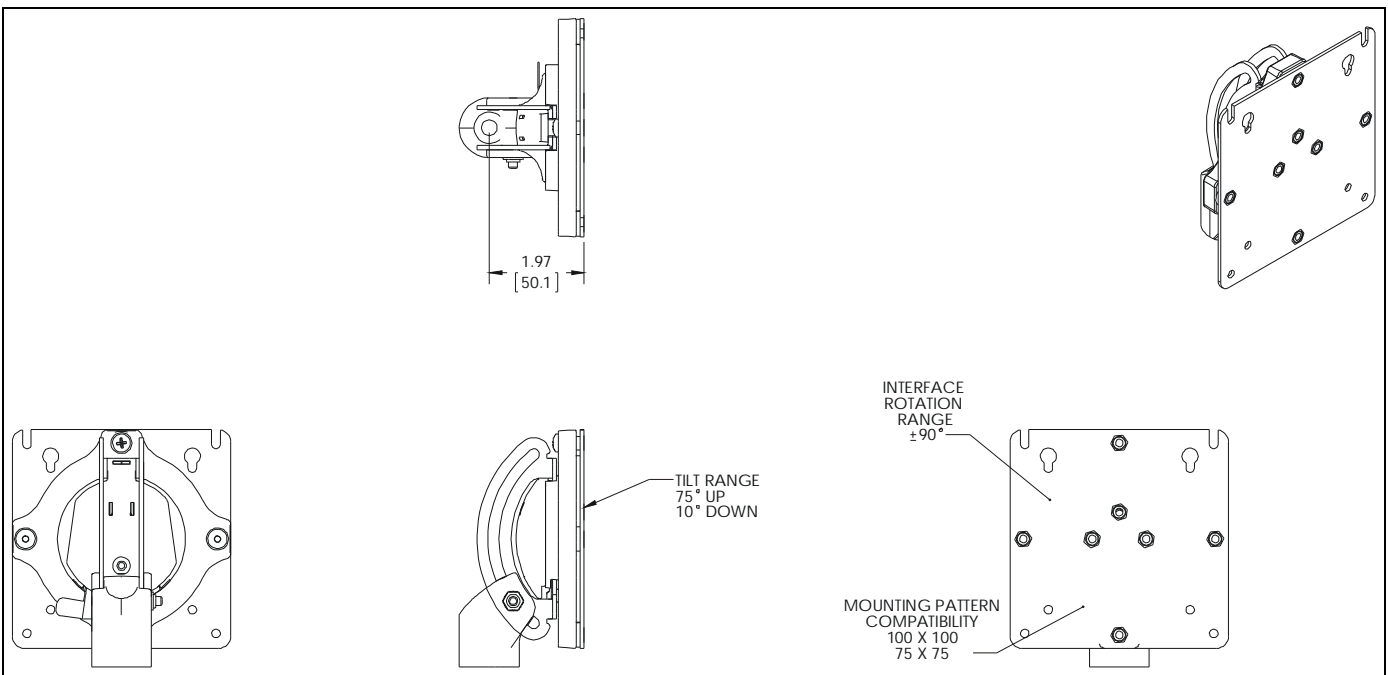
WARNING: Exceeding the weight capacity can result in serious personal injury or damage to equipment! It is the installer's responsibility to make sure the combined weight of all components located attached to the KRA225 tilt head accessory up to (and including) the display does not exceed the weight limit listed for the mount to which it is attached. Use with products heavier than the maximum weight indicated may result in collapse of the mount and its accessories causing possible injury.

WARNING: Use this accessory only for its intended use as described in these instructions. Do not use attachments not recommended by the manufacturer.

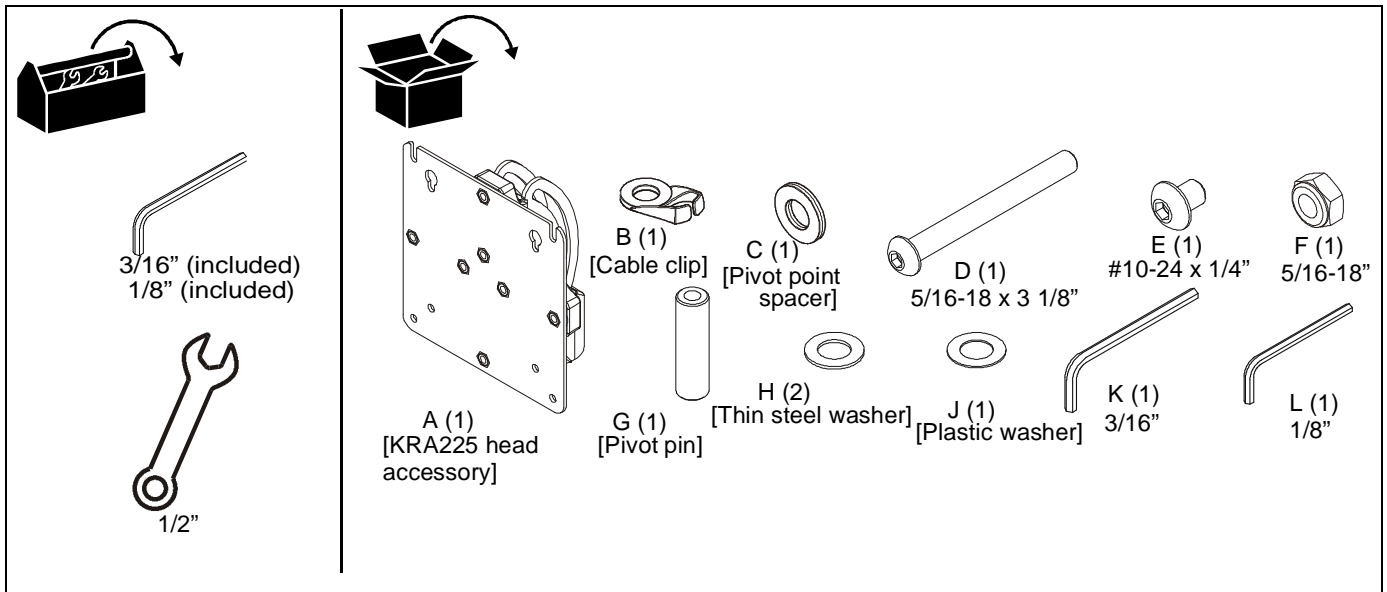
WARNING: Never operate this accessory if it is damaged. Return the accessory to a service center for examination and repair.

WARNING: Do not use this product outdoors.

--SAVE THESE INSTRUCTIONS--



TOOLS / PARTS FOR INSTALLATION



ASSEMBLY AND INSTALLATION

1. Remove button head cap screw, spacers, pivot pin and lock nut to disassemble head from K2 mounting arm. All hardware may be discarded. (See Figure 1)

2. Use 5/16-18 x 3 1/8" button head cap screw (D), two thin steel washers (H), plastic washer (J), pivot pin (G), pivot point spacer (C) and 5/16-18" lock nut (F) to secure KRA225 head assembly (A) to Kontour mount. (See Figure 2)

NOTE: Cable clip (B) can be used in place of pivot point spacer (C) if additional cable management is desired. (See Figure 2)

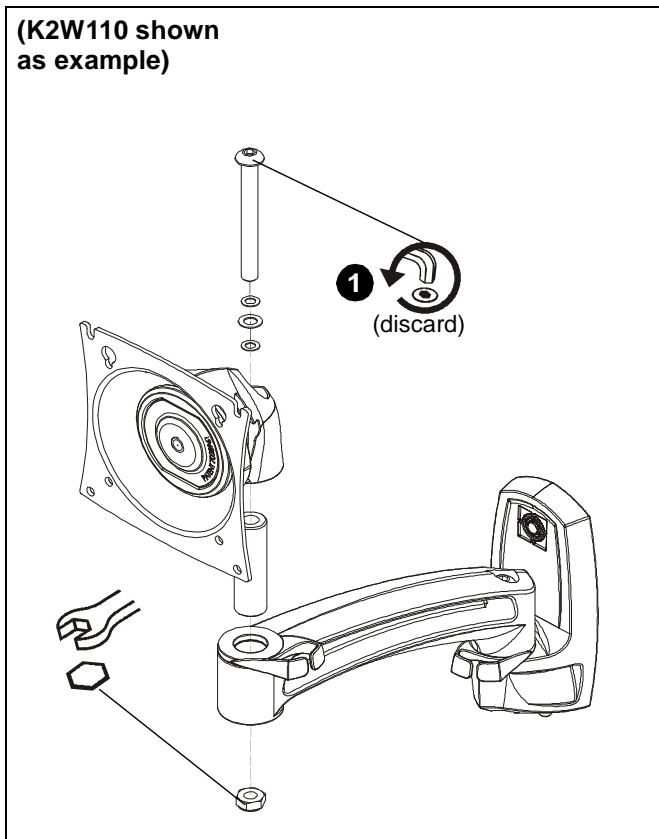


Figure 1

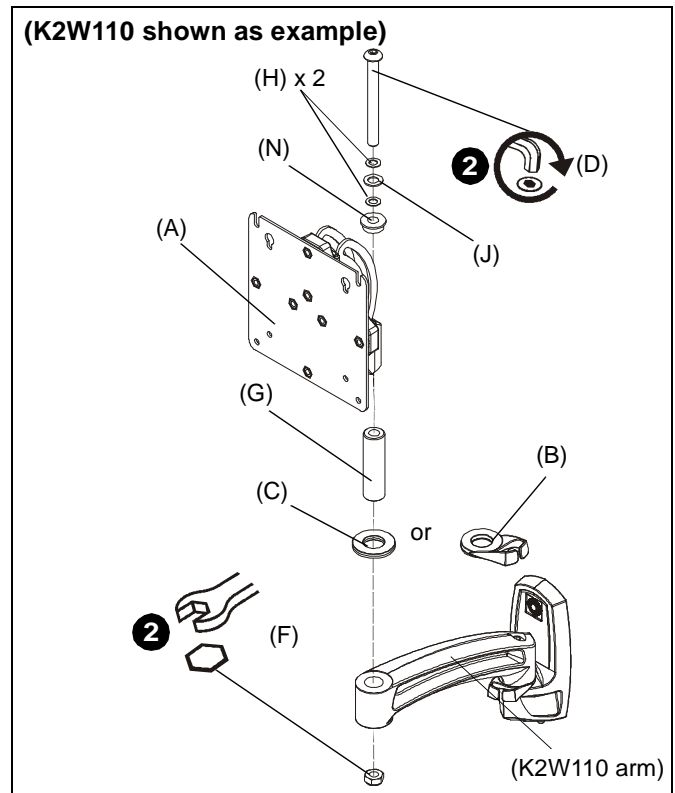


Figure 2

Display Installation

1. Remove quick release faceplate from mount by pulling quick release lever and sliding faceplate off mount. (See Figure 3)

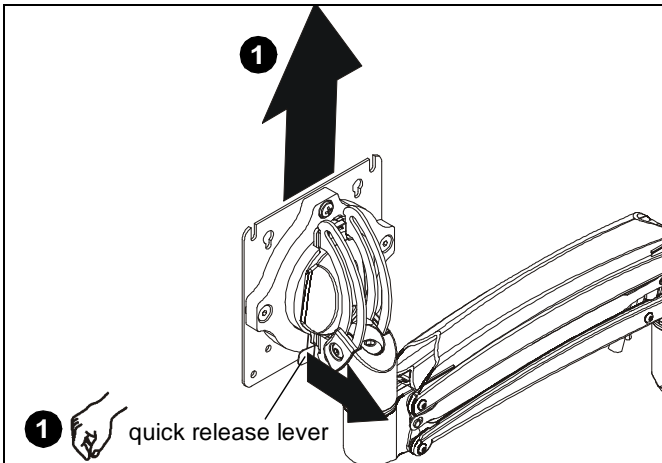


Figure 3

2. Carefully place display face down on protective surface.

NOTE: Use display mounting hardware included with K2 Series mount to attach display to KRA225 faceplate.

3. Connect faceplate to display

For flush mounting hole installation:

- Using Phillips screwdriver, carefully install four M4x10mm screws through corresponding holes on faceplate and into the mounting holes on the display. (See Figure 4)

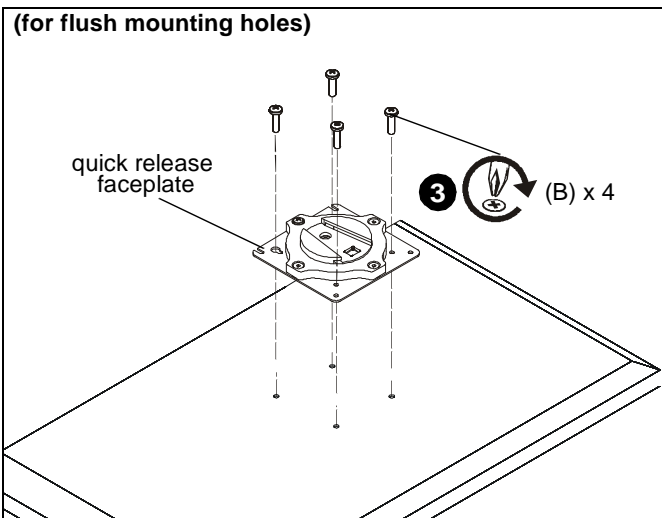


Figure 4

For recessed mounting hole installation:

- Place four spacers on top of mounting holes on back of display. (See Figure 5)
- Using Phillips screwdriver, carefully install four M4x20mm screws through corresponding holes on faceplate, spacers and into the mounting holes on the display. (See Figure 5)

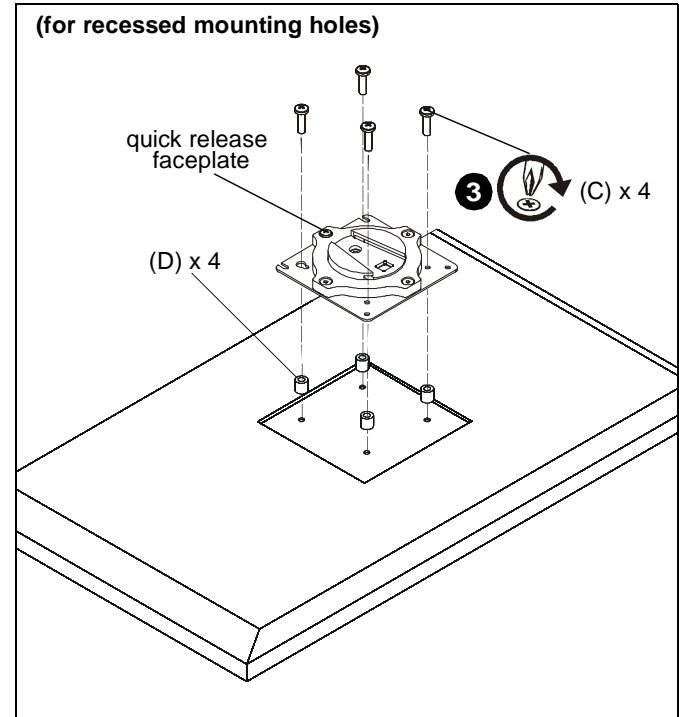


Figure 5

4. Position display with faceplate attached above mount. (See Figure 6)
5. Slide faceplate onto mounting head until quick release tab clicks into place. (See Figure 6)

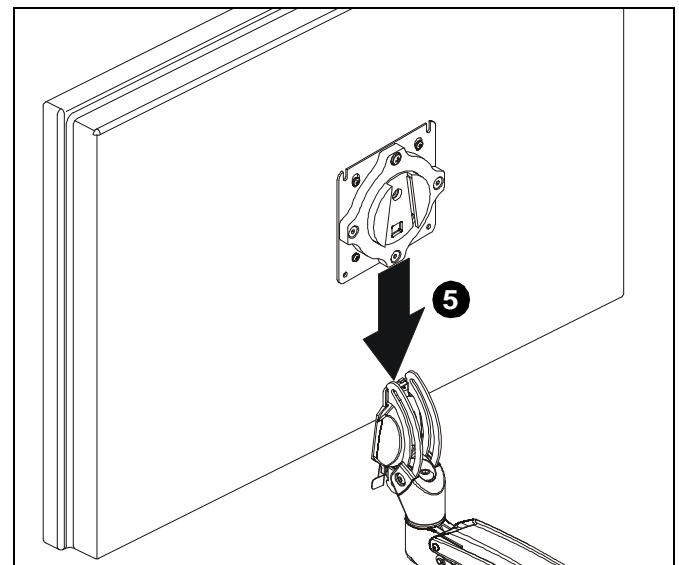


Figure 6

Adjustments

Pitch Adjustment

1. Adjust pitch to desired tilt position. (See Figure 7)
2. Adjust pitch tension screw to change the adjustment tension. (See Figure 7)

Pivot Adjustment

3. Adjust pivot position as desired. (See Figure 7)
4. Use 3/16" hex key (K) to adjust pivot point tension screws to change pivot adjustment tension. (See Figure 7)

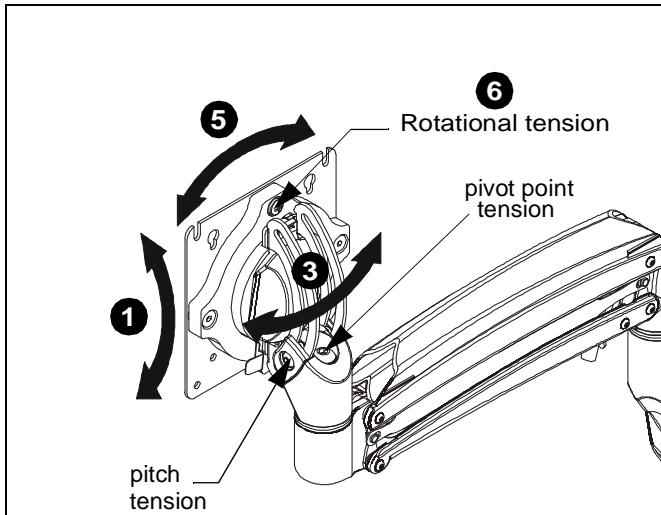


Figure 7

Rotational Adjustment

5. The monitor may be adjusted 90 degrees in either direction in order to provide a portrait view of the monitor. (See Figure 7)
6. Use 3/16" hex key (K) to adjust rotational adjustment screw to adjust rotational tension. (See Figure 7)

Display Removal



WARNING: Only remove display from mount when the display can be lifted up from the mount! DO NOT remove display unless the display is in the upright position! (See Figure 8)

1. Make sure display is in the upright position.
2. Remove quick release faceplate from mount by pulling quick release lever and sliding faceplate off mount. (See Figure 8)

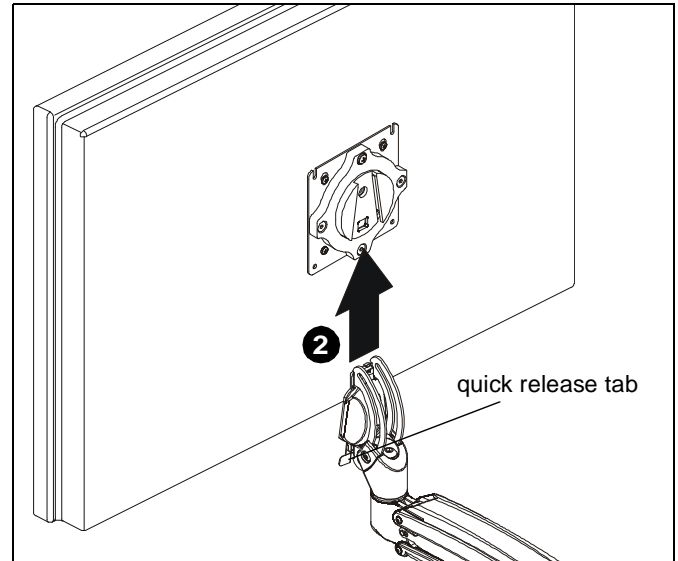


Figure 8



Our Mounts. **Your Vision.**

Chief, a products division of
Milestone AV Technologies

8800-002762 Rev00
©2016 Milestone AV Technologies
www.milestone.com
11/16

USA/International	A 6436 City West Parkway, Eden Prairie, MN 55344 P 800.582.6480 / 952.225.6000 F 877.894.6918 / 952.894.6918
Europe	A Franklinstraat 14, 6003 DK Weert, Netherlands P +31 (0) 495 580 852 F +31 (0) 495 580 845
Asia Pacific	A Office No. 918 on 9/F, Shatin Galleria 18-24 Shan Mei Street Fotan, Shatin, Hong Kong P 852 2145 4099 F 852 2145 4477

