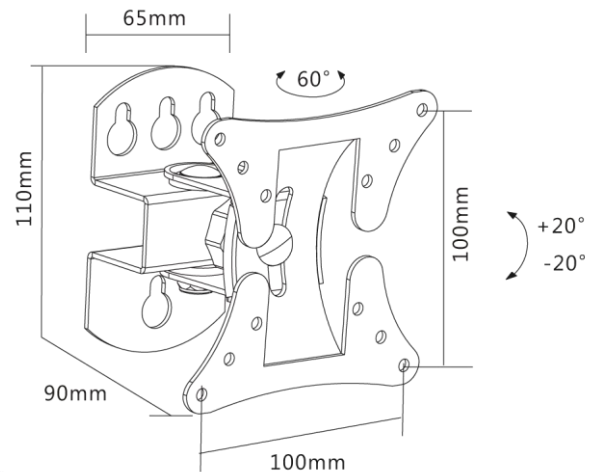


reflecta FLEEXO 27-1010T



Characteristics:

- Max loading weight of 30 kg
- For 13-27" / 33-68 cm diagonal
- Vesa: 100x100, 75x75, 50x50,
- Distance to wall: 90 mm
- Tilt: +/-20°
- Swivel: +/-30°

Code: 23114

EAN: 4005039661402

Specifications are subject to change without notice

reflecta gmbh
 Merkurstrasse 8
 D 72184 Eutingen
 Phone: +49 (0) 7457 9465-60
 Fax: +49 (0) 7457 9465-72
 e-mail: mail@reflecta.de
 http: www.reflecta.de