

3. Connection instruction:

- 1). Connect HDMI input with HDMI output of source device.
- 2). Connect IR blaster extension cable to the IR extender out port.
- 3). Connect RJ45 port with RJ45 input port of HDMI extender RX.
- 4). Connect HDMI output of HDMI extender RX to HDMI input of HDTV and set the TV source input to correct HDMI input channel.
- 5). Power on the device (power indicator led lights) and it works.

FAQ

Q: TV display "waiting for connection" on the bottom right corner?

A: 1) Please check if the power supply of the unit (sender) and RX(receiver) is well connected and the power indicator led lights on.
2) Make sure all cables are firmly connected.

Q: TV display "Please check the TX input signal" ?

A: 1) please check if there is An HDMI signal input of the unit
2) Try to connect the signal source directly to display device to see if there is signal output from source device or change the signal source, HDMI cables and try again.

Q: Display not fluent and stable?

A: 1) Please check the cable length between the unit(sender) and RX (receiver) is within the required range.
2) Press "reset" button on the unit/RX panel, reset and reconnect.

Specification

Items	Specification
HDMI signal	HDMI1.3 Compatible with HDCP1.4
Support resolutions	480i@60Hz, 480p@60Hz, 576i@50Hz, 576p@50Hz, 720p@50/60Hz, 1080i@50/60Hz, 1080p@50/60Hz
Transmit distance	Up to 120meters transmission distance for 1080p 60Hz full HD over single CAT6

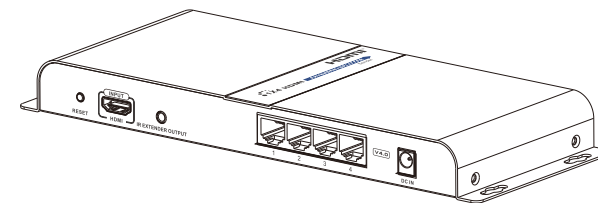
IR signal	Support 20~60kHz IR device
Input	1 x HDMI
Output	4 x RJ45
Connection indicator leds	4 x LED
Working temperature	0°C ~ 60°C
Power supply	5V2A
Power Consumption	<10W
Protection	Lightning Protection Surge Protection ESD protection
Dimension	252X97.5X25mm
Weight	535g
Color	Black

Disclaimer

The product name and brand name may be registered trademark of related manufactures. ™ and ® may be omitted on the user manual. The pictures in this user manual are just for reference. The terms HDMI, HDMI High-Definition Multimedia Interface, and the HDMI Logo are trademarks or registered trademarks of HDMI Licensing Administrator, Inc. We reserve the rights to make changes without further notice to a product or system described herein to improve reliability, function or design.

1 to 4 HDMI Extender Splitter

User manual



HDMI™
HIGH-DEFINITION MULTIMEDIA INTERFACE

Important Safety Notes:

1. Do not plug-in/out the network cables and IR cables when it is in using.
2. Use DC5V only. Make sure the specification matched if using 3rd party DC adapters.

Introduction

This product combines the extender and splitter function to split 1 HDMI signal to 4 identical HDMI signals via network cable and it is used as a sender to work with 4 receivers to transmit these 4 HDMI signals up to 120meters.

With the IR signal transmission to control the source device operation in long distance, it is widely applied in HD audio visual display room, HDTV, Set top box, DVD etc exhibition center and digital monitoring system.

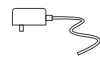
Features:

1. Adopting a new high-definition digital transmission technology, lower delay and more stable performance.
2. It splits one HDMI input signal to four identical network output signals.
3. Extend HDMI signal up to 120m over CAT5/5e/6 cable.
4. Support full HD resolution 1080p@60Hz.
5. Support cascade connection by switch or router.
6. Compatible with existing network,not affect internet.
7. Plug and play,use easily.
8. Convenient wall-mountable design.

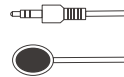
Package contents



HDMI extender TX*1



5V2A power adapter*1



IR blaster extension cable *1

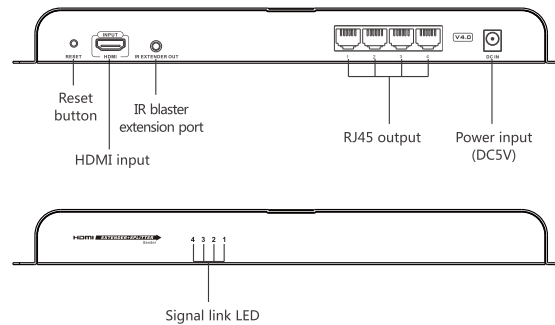


User manual *1

Installation Requirement

1. HDMI source device(computer graphics card, DVD,PS3, HD monitoring equipment etc)
2. HDMI display device like SDTV, HDTV, and projector with HDMI port.
3. HDMI extender RX
4. UTP/STP cat5/5e/6 cable, follow standard IEEE-568B
Network cable length supported between every connection:
CAT5 80m
CAT5E 100m
CAT6 120m

Panel description



Connection and operation

1. network cable

Follow the standard of IEEE-568B:

- | | |
|----------------|---------------|
| 1-Orange/white | 5-Blue/white |
| 2-Orange | 6-Green |
| 3-Green/white | 7-Brown/white |
| 4-Blue | 8-Brown |



2. Connection

