

# DESCENDER ELECTROL

Motorized projection screen for ceiling recessed installations



Watch the video:



## Product specifications:

- Ceiling recessed electrically operated projection screen 230 volt (50Hz) with a usage of no more than 0.43 Ampere (98.9 Watt).
- The motor is mounted on the left side in the steel casing with rubber dampers to reduce sound.
- The motor is mounted inside the roller, 4 wire, 17 rotations per minute, maintenance free, integrated brake and thermal overload cut-out.
- The 4 wire connection goes through the metal casing. The casing is galvanised on the inside and on the outside powder coated with a matte structure coating (RAL 9016).
- The roller with the projection surface is supplied fully mounted but can be removed on location for the projection of the projection surface. After mounting the projection screen is reachable through the bottom of the casing.
- Install the screen case separate from the screen surface during the rough-in stages of construction.
- The Screen Surface Assembly includes the bottom panel of the screen, motor and screen surface.
- The triangular slat bar closes off the bottom of the casing completely.
- The screen fabrics are flame retardant and seamless in the viewing area.
- The projection surfaces are standard with an extra high, black top border. The other borders are 5 cm with the Video, HDTV, and Wide format. The standard format (1:1) has a black border on both sides (width < 240cm= 2.5cm and  $\geq 240$ cm= 5cm).
- The projection fabrics have a black backing.
- Standard 3 position wall switch is supplied.
- The projection screen is CE marked and satisfies the strictest quality and safety requirements.
- Integrated RF receiver option: this version will have a 3 wire connection and will be supplied with a remote control.

## Options:

- RF - Radio frequency: Includes built-in radio frequency receiver, making it possible to operate the screen using the supplied remote control. Standard remote control is supplied when selected this option.
- Extended black drop
- Without borders

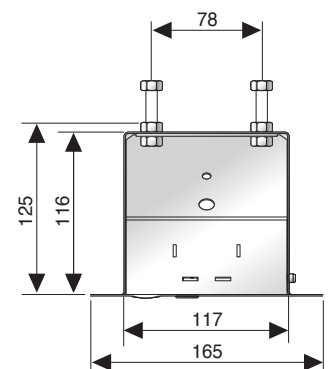


## Aspect Ratios:

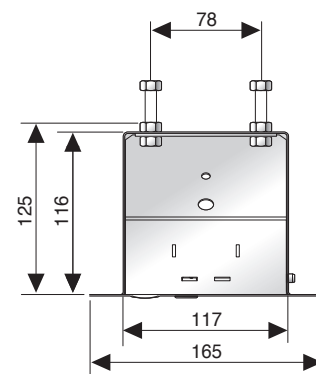
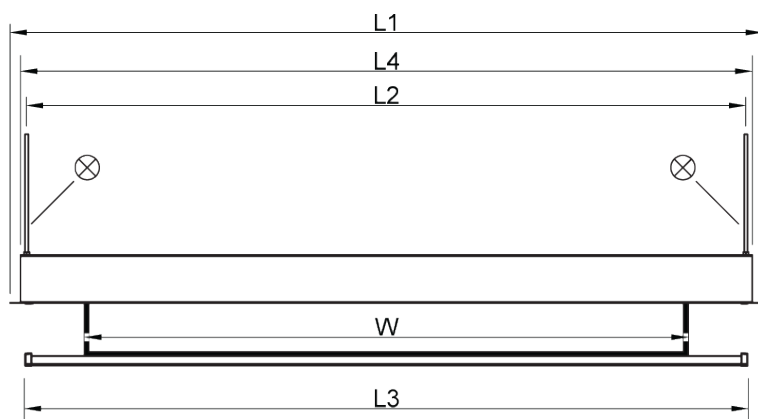


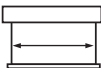
## Available dimensions

Minimum width: 180 cm  
Maximum width: 340 cm



# DESCENDER ELECTROL



		Viewing Area	Dimensions				Black drop	Net weight
		cm	L1 mm	L2 mm	L3 mm	L4	cm	kg
16:10	129 x 200	119 x 190	2259	2179	2187	2209	58	21
	141 x 220	131 x 210	2459	2379	2387	2409	46	22
	154 x 240	144 x 230	2659	2579	2587	2609	39	23
	179 x 280	169 x 270	3059	2979	2987	3009	20	26
	191 x 300	181 x 290	3259	3179	3187	3209	20	28
	204 x 320	194 x 310	3459	3379	3387	3409	20	29
	216 x 340	206 x 330	3659	3579	3587	3609	20	32
16:9	102 x 180	95 x 168	2039	1959	1967	1989	82	19
	117 x 200	107 x 190	2259	2179	2187	2209	70	21
	128 x 220	118 x 210	2459	2379	2387	2409	59	22
	139 x 240	129 x 230	2659	2579	2587	2609	53	23
	162 x 280	152 x 270	3059	2979	2987	3009	31	26
	173 x 300	163 x 290	3259	3179	3187	3209	20	28
	184 x 320	174 x 310	3459	3379	3387	3409	20	29
196 x 340	186 x 330	3659	3579	3587	3609	20	30	
4:3	138 x 180	126 x 168	2039	1959	1967	1989	51	19
	153 x 200	143 x 190	2259	2179	2187	2209	34	20
	168 x 220	158 x 210	2459	2379	2387	2409	20	22
	183 x 240	173 x 230	2659	2579	2587	2609	20	24
	213 x 280	203 x 270	3059	2979	2987	3009	20	27
	228 x 300	218 x 290	3259	3179	3187	3209	20	29
	243 x 320	233 x 310	3459	3379	3387	3409	20	30
258 x 340	248 x 330	3659	3579	3587	3609	20	32	
1:1	180 x 180	173 x 173	2039	1959	1967	1989	2,5 L/R	19
	200 x 200	195 x 195	2259	2179	2187	2209	2,5 L/R	21
	220 x 220	215 x 215	2459	2379	2387	2409	2,5 L/R	23
	240 x 240	230 x 230	2659	2579	2587	2609	5 L/R	25
	280 x 280	270 x 270	3059	2979	2987	3009	5 L/R	28
	300 x 300	290 x 290	3259	3179	3187	3209	5 L/R	31
	320 x 320	310 x 310	3459	3379	3387	3409	5 L/R	32
340 x 340	330 x 330	3659	3579	3587	3609	5 L/R	34	

## Available standard resolution projection surfaces

All screen surfaces are seamless in the viewing area.

### Matte White

Gain: 1.0  
Viewing Angle: 120°  
Base material: Fiberglass  
Fire retardancy: B2  
Black backing: Yes  
Opacity rating: > 99 %  
Seamless: Yes  
GreenGuard certification: Yes

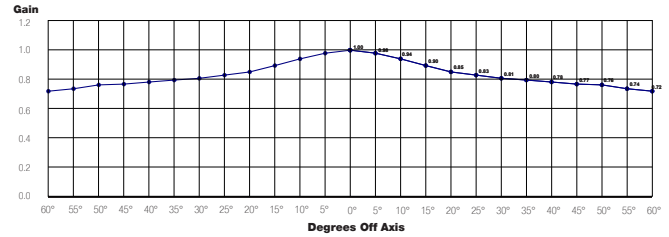


**Standard:** UL 2818 - 2013  
Standard for Chemical Emissions  
for Building Materials, Finishes and  
Furnishings

**Certification number**

Greenguard -  
4710-410

Greenguard Gold -  
4710-420



### Datalux

Gain: 1.5  
Viewing Angle: 70°  
Base material: Fiberglass  
Fire retardancy: B2  
Black backing: Yes  
Opacity rating: > 99 %  
Seamless: Yes  
GreenGuard certification: Yes

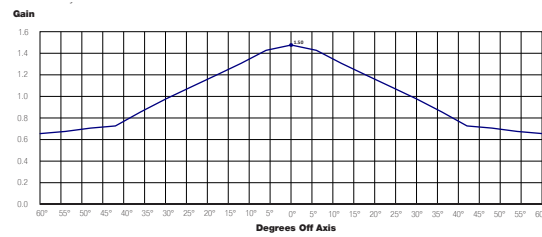


**Standard:** UL 2818 - 2013  
Standard for Chemical Emissions  
for Building Materials, Finishes and  
Furnishings

**Certification number**

Greenguard -  
4712-410

Greenguard Gold -  
4712-420



### High Contrast

Gain: 1.1  
Viewing Angle: 100°  
Base material: Fiberglass  
Fire retardancy: B2  
Black backing: Yes  
Opacity rating: > 99 %  
Seamless: Yes  
GreenGuard certification: Yes

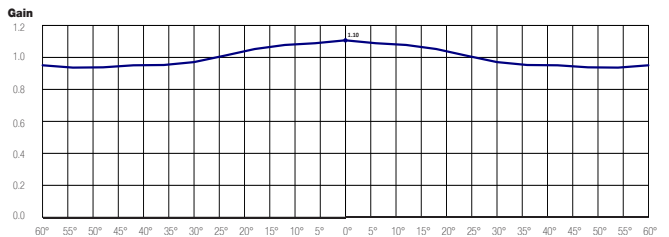


**Standard:** UL 2818 - 2013  
Standard for Chemical Emissions  
for Building Materials, Finishes and  
Furnishings

**Certification number**

Greenguard -  
4708-410

Greenguard Gold -  
4708-420



### B1 / M1 Fire retardancy

Projection surface with B1 / M1 fire retardancy is optionally available. Contact Projecta for feasibility.

### Certifications

- Products are manufactured in an ISO14001 certified facility
- Projecta is an ISO 9001 certified company
- REACH - Registration, Evaluation, Authorisation and Restriction of Chemical substances.
- RoHS - Restriction of Hazardous Substances.
- WEEE - Waste Electronic and Electrical Equipment Regulations.



### Customisation

Give exact the sizes of the projection screen you need:

Viewing size: \_\_\_\_\_ Height (cm.) x \_\_\_\_\_ width (cm.)

Surface: \_\_\_\_\_ Border top: \_\_\_\_\_ (cm.) Border bottom: \_\_\_\_\_ (cm.)

RAL color case and plastic parts: RAL \_\_\_\_\_

Motor positioned on right side

Screen fabric mounted reversely

Remarks: \_\_\_\_\_

## Accessories - control options

For projection screens with a standard motor / delivered as standard with a wall switch

- Easy Install RF remote control (868,3 Mhz)
  - Easy Install wireless projectorcoupling (868,3 Mhz)
  - Easy Install wireless RF wall switch (868,3 Mhz)
- Easy Install RF remote control with projectorcoupling (868,3 Mhz)
- Easy Install projectorcoupling with cable
- Easy Install IR remote control
- Easy Install plug & play relaybox with potential free contacts
  - Easy Install plug & play RS232/RS422 control kit
  - Easy Install plug & play RS232/RS422 with IP control kit
- Keyswitch

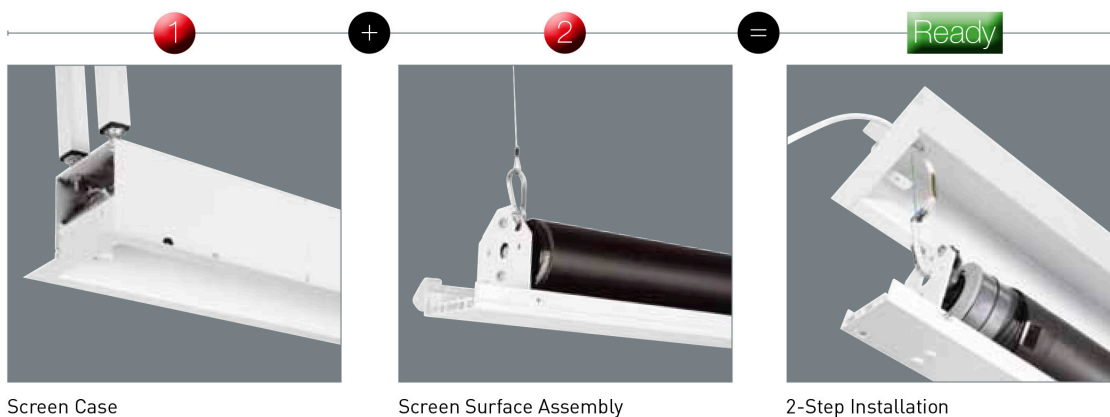
For projection screens with an RF motor / delivered as standard with a remote control

- RF wall-mounted transmitter (433,92 Mhz)
- 4-channel RF remote control (433,92 Mhz)
- Easy Install plug & play connector cable for RF screens 10 m
- Easy Install plug & play connector cable for RF screens 5 m

## Accessories - installation

- Ceiling brackets (100 cm.)
- Set extension brackets (75 cm.)
- Set extension brackets (30 cm.)

## Descender - 2-step Installation



## Warranty

Projecta provides a limited 5 year warranty on the Elpro Concept range and a limited 2 year warranty on all other products. The warranty on the motor of electrical screens is 5 year. All warranties are in effect beginning the date the product was invoiced by Projecta.