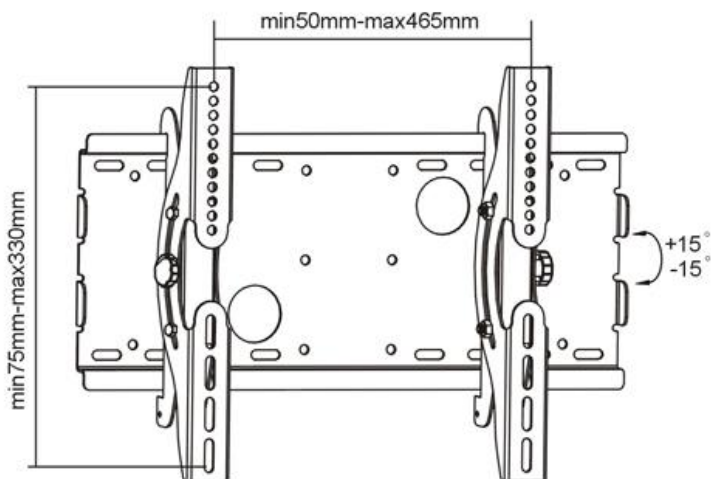
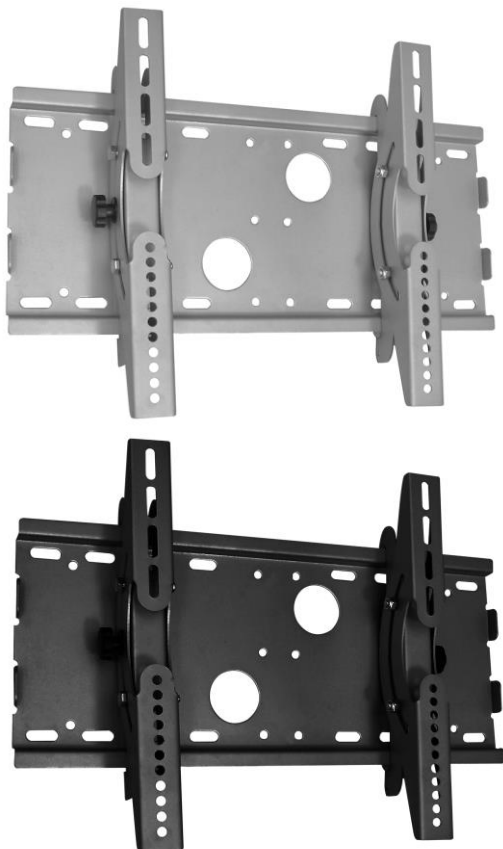


## reflecta Plano Flat 37-15 (silver) and 37-15B (black)



### Product information:

- Universal wall mount for TVs
- Max. loading weight 75 kg
- 23 – 40" (85 -102 cm)
- Vesa: 100x100, 200x100, 200x200, 300x300, 400x200
- Distance to wall: 83 mm
- Tilt: +/-15°
- Stable and solid design

Code.: 23082 (silver) and 23087 (black)  
 EAN: 4005039230820 (silver) and  
 4005039230875 (black)

Specifications subject to change without notice.



### reflecta gmbh

Merkurstrasse 8  
 D 72184 Eutingen

Phone: +49 (0) 7457 9465-60

Fax: +49 (0) 7457 9465-72

e-mail: [mail@reflecta.de](mailto:mail@reflecta.de)

http: [www.reflecta.de](http://www.reflecta.de)