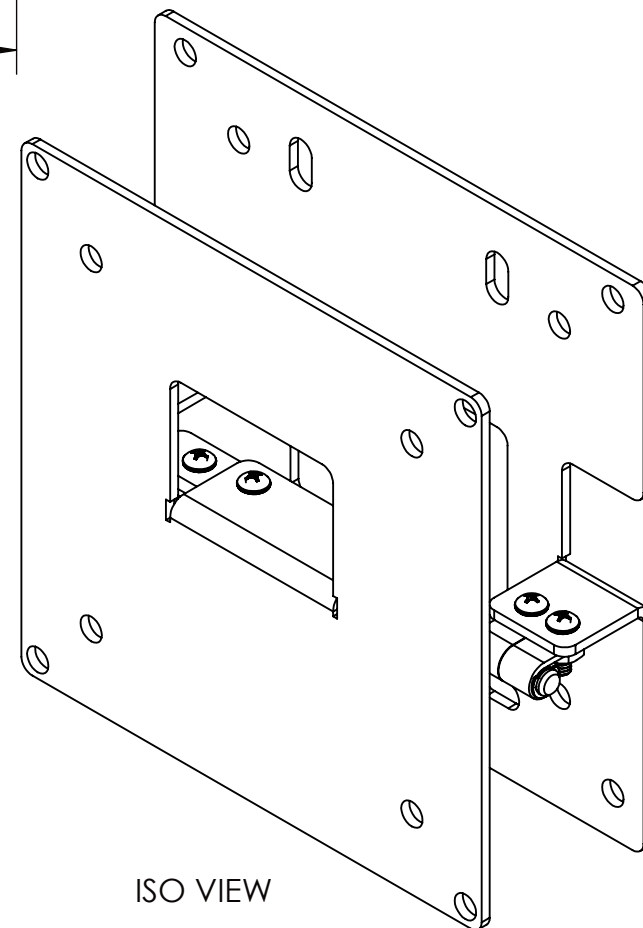
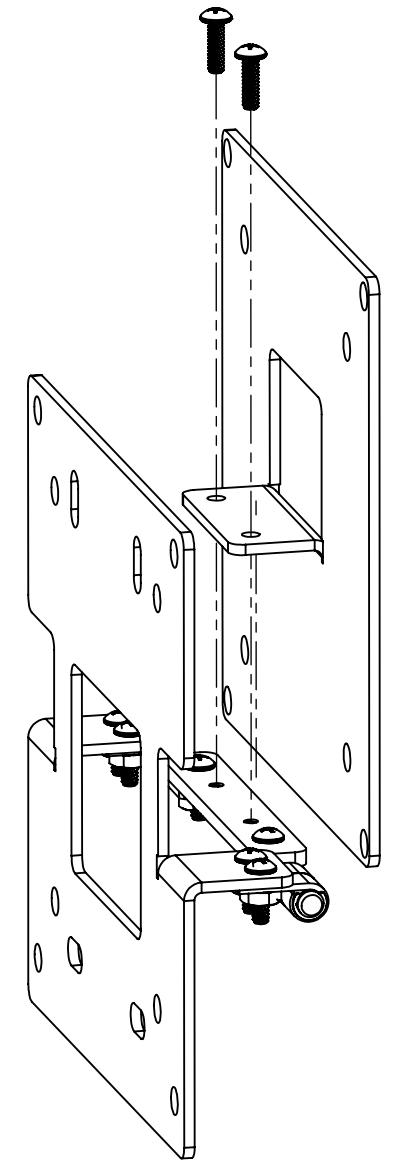
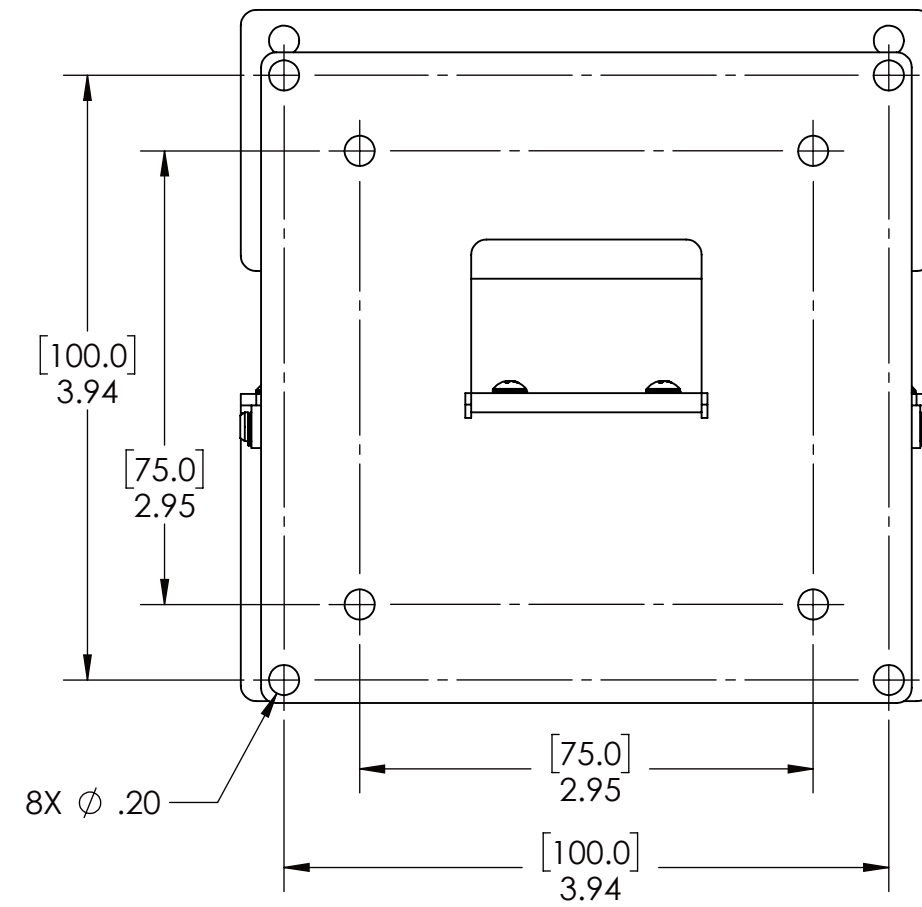
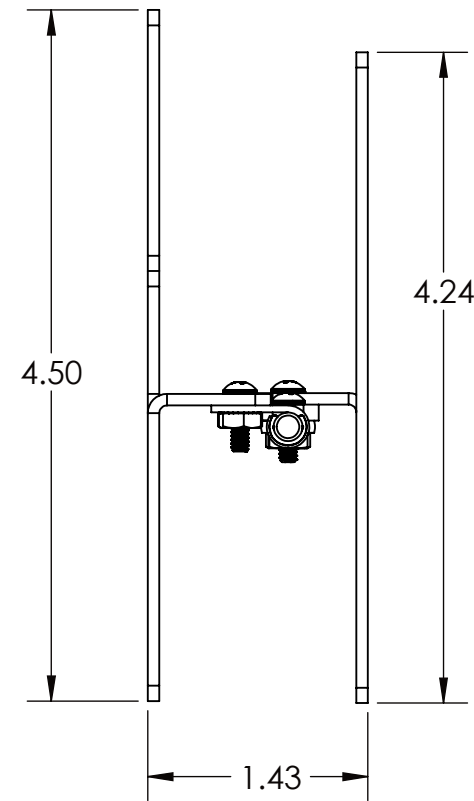
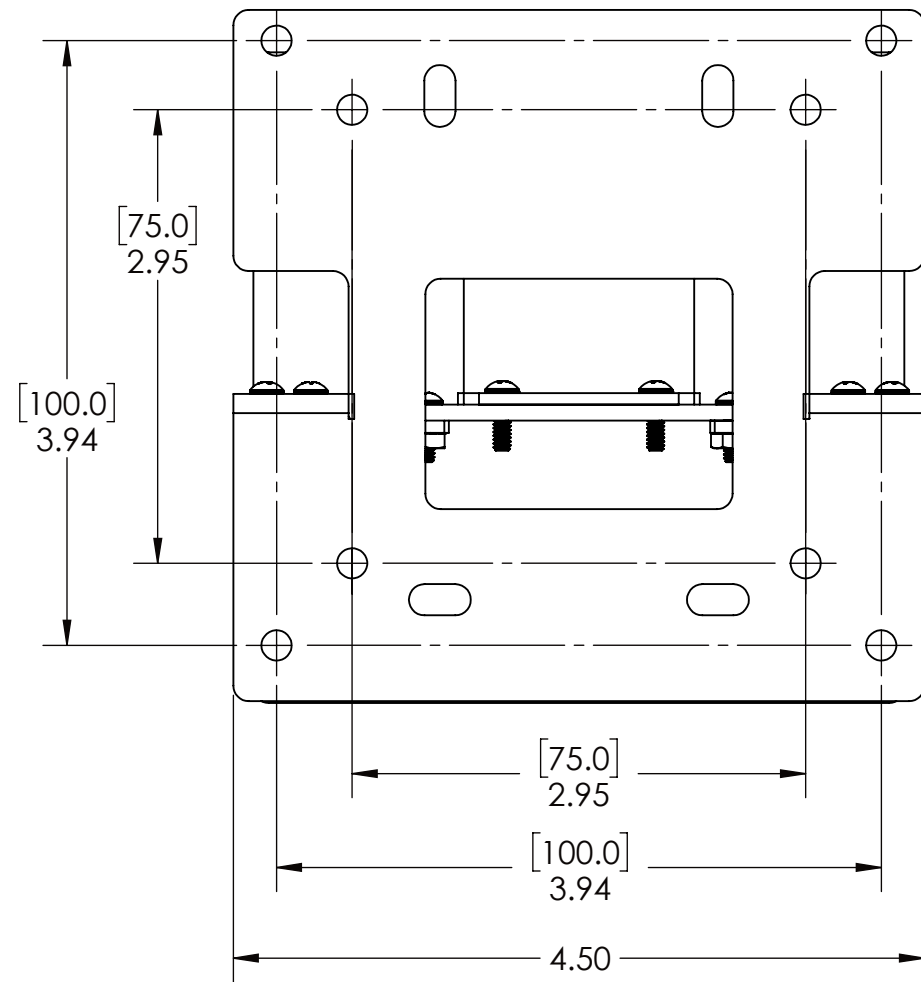


BACK VIEW

SIDE VIEW

FRONT VIEW



ISO VIEW

UNLESS OTHERWISE NOTED:

DIMENSIONS ARE IN INCHES

DIMENSIONAL LIMITS APPLY
AFTER FINISH

MACHINED SURFACES 125

EDGES & FILLETS R .005/.015

FRACTIONS ± 1/32

ANGLES ± 1°

DEC. .XX = ± .015

.XXX = ± .005

.XXXX = ± .0002

THIS DRAWING, INCLUDING ALL SUBJECT MATTERS INDICATED THERON OR DERIVED THEREFROM, COMPRISES PROPRIETARY INFORMATION AND IS THE EXPRESS PROPERTY OF LEGRAND AV INC. EMPLOYMENT, REPRODUCTION OF OR DISSEMINATION OF THIS DRAWING, IN WHOLE OR IN PART, WITHOUT WRITTEN PERMISSION OF LEGRAND AV INC IS STRICTLY FORBIDDEN.

VADDIO.

A brand of **legrand**

DRAWN CPM	CHECKED	APPROVED	DATE 7-3-23
MATERIAL (VARIOUS)			SIZE B
FINISH (VARIOUS)			SCALE 1:1

TITLE WALL MOUNT VADDIO DEVICE CONTROLLER	SHEET 1 OF 1	DRAWING NO. 535-2100-300	REV. 02
--	-----------------	-----------------------------	------------