

• IMPORTANT SAFETY INSTRUCTIONS

1. Do not mix up the Transmitter and Receiver, and the IR blaster and IR receiver.
2. Do not plug-in/out the cables ,when it is in using.
3. Use DC 5V power supply only. Make sure the specification matched if using 3rd party DC adapters.
4. Support power from transmitter to receiver unit over the CAT6 cable.

• INTRODUCTION

This HDMI extender splitter works with 4 HDMI CAT6 extender receivers to distribute and extend 1 HDMI source to 4 HDMI displays over single CAT6/6a/7 cable up to 40m/131ft. The highest resolution supported is 1920x1080@60Hz, one HDMI Loop-out, and it supports IR passback, EDID pass through and only one power adapter for the transmitter is needed, the Receiver is powered by the transmitter over CAT6 cable. Ideal solution for HDMI exhibition, Video conference and show center, ect.

• PACKAGE CONTENTS



Transmitter unit x1pc



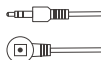
Receiver unit x4pcs



User Manual x1pc



IR blaster extension cable x1pc



IR receiver extension cable x4pcs



DC5V/3A x1pc

• FEATURES

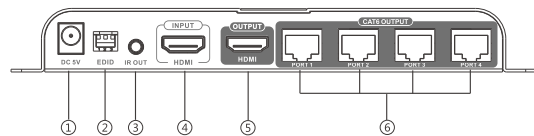
1. Distribute 1 HDMI source to 4 HDMI displays over network cable simultaneously.
2. Support one HDMI Loop-out.
3. Compatible with CAT6/6a/7 network cables.
4. The transmission distance is up to 40m/131ft.
5. The highest resolution supported is 1920x1080@60Hz.
6. Support 20~60KHz frequency IR pass back.
7. Support EDID Setting function.
8. Support power from transmitter to receiver unit over the CAT6 cable.
9. Plug and play.
10. Wall-mounted function, easy installation.

• INSTALLATION REQUIREMENTS

1. HDMI source device(computer graphics card, DVD,PS3, HD monitoring equipment etc).
2. HDMI display device like SDTV, HDTV, and projector with HDMI port.
3. UTP/STP CAT6/6A/7 cable, follow standard IEEE-568B.

• PANEL DESCRIPTION

1. Transmitter unit (TX)

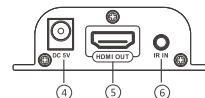
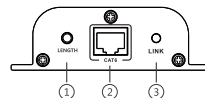


• FEATURES



- | | |
|--|---------------------------|
| ① Power input (DC5V) | ⑤ HDMI output |
| ② EDID switch | ⑥ RJ45 signal output |
| ③ IR signal output to connect with blaster extension cable | ⑦ Power/ signal indicator |
| ④ HDMI input | ⑧ Reset button |

2. Receiver unit (RX)



- | | |
|---|---|
| ① LENGTH: For adjusting the unit to self-adapt to the length of network cable | ④ DC5V power input (OPTIONAL) |
| ② RJ45 signal input | ⑤ HDMI signal output |
| ③ RJ45 indicator led it lights on all the time with HDMI signal transmission, flashes with no signal transmission | ⑥ IR signal input to connect with IR receiver extension cable |

Remarks: Users can press button“ LENGTH” to adjust transmission distance of this device automatically or manually. If users do not press this button when power on, then the device will work like last time because of memory function. If users press this button after power on, the first two press will make the device adjust the distance according to the network cable length automatically. After this two press, if users continue to press this button, then will go to the mode of adjusting transmission distance manually. There is 10 levels to tally and adding one more press means a new level. When users finish the 10 levels adjusting manually it will be back to adjust transmission distance automatically mode and into the new loop.

• Installation Procedures

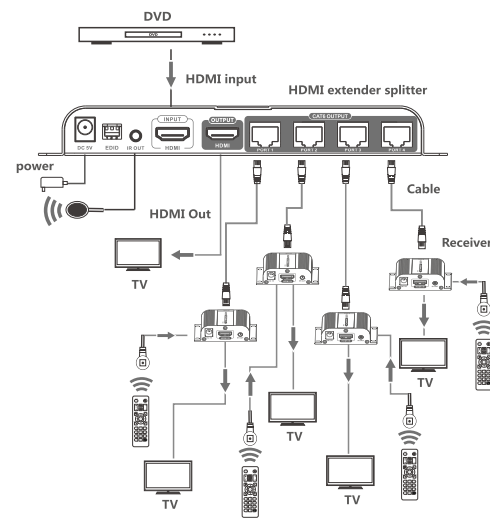
1. How to make a CAT6/6A/7 network cable

Follow the stand of IEEE-568B:

- | | |
|-----------------|-----------|
| 1- Orange/white | 2- Orange |
| 3- Green/white | 4- Blue |
| 5- Blue/white | 6- Green |
| 7- Brown/white | 8- Brown |



2. Connection



Remarks: Please do not remote control two or more RX units' IR signal at the same time, which to avoid interference.

3. Connection instruction:

- 1) Connect the HDMI signal source device to the Transmitter HDMI input port with HDMI cable.
- 2) Connect IR blaster to EXTENDER IR OUT
- 3) Connect the Transmitter RJ45 port to HDMI EXTENDER RX's Rj45 input port by network cable.
- 4) Connect HDMI EXTENDER RX's HDMI output port to HDMI display's HDMI input port by HDMI cable and set the HDMI display's signal source to the connected HDMI port.
- 5) Supply the power(Power's signal light is red, when there are signal input then the power light is blue),the product will work.

4.EDID Setting

- 1) HDMI source device reads the EDID information of the transmitter (TX) and then output the relative HDMI signal format.
- 2) There are 8 build-in EDID status, and others could be selected by the EDID switch in the HDMI extender splitter(transmitter), the detail Setting Information shown as below:



Switch UP : use the Arabic numeral "1" to represent



Switch DOWN : use the Arabic numeral "0" to represent

SW1	SW2	SW3	EDID Mode
0	0	0	720P@50Hz 2.1CH
1	0	0	720P@50Hz 7.1CH
0	1	0	1080i@60Hz 2.1CH
1	1	0	1080i@60Hz 7.1CH
0	0	1	1080P@60 2.1CH
1	0	1	1080p@60Hz 7.1CH
0	1	1	Read Loop-out(if not connect the loop-out show default)
1	1	1	Default 720P@50Hz 2.1CH

• FAQ

Q : No image or audio output on display ?

- A: 1) Please check whether display on standby mode;
 2) Please check whether display HDMI signal channel in accord with HDMI input port;
 3) Please check whether " LINK " LED on RX side keeps on, LED flash means RX does not receive signal from TX;
 4) Please check whether signal indicator LED on TX turns blue, LED on red means no input signal;
 5) Please check whether input resolution supported by this product.

Q : Image unstable ?

- A : 1) Press the "LENGTH" button on receiver or "RESET" button on the transmitter to re-identify the signal;
 2) Please pull & plug CAT cable on corresponding port to reconnect.

Q : Only partial ports have output ?

- A : 1) Please check whether CAT cable or HDMI cable connected correctly;
 2) Press the "LENGTH" button on receiver or "RESET" button on the transmitter to re-identify the signal;
 3) Please pull & plug CAT cable on corresponding port to reconnect.

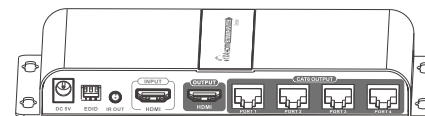
• SPECIFICATION

Items	Specifications
HDMI signal	HDMI1.3, Compatible with HDCP1.2
Input	1 x HDMI
Output	4 x RJ45, 1xHDMI
Support resolutions	480i@60Hz, 480p@60Hz, 576i@50Hz, 576p@50Hz, 720p@50/60Hz, 1080i@50/60Hz, 1080p@50/60Hz
Transmit distance	Full HD resolution 1080p@60Hz up to 40 meters via CAT6 cable
IR signal	Support 20~60kHz IR device

EDID	Support EDID setting function
Working temperature	0°C ~ 60°C
Power supply	DC5V/3A
Power Consumption	<15W
Dimension	TX: 190(L) x 95.9(W) x 23.9(H) mm RX: 71.6×66.6×22.6mm
Color	Black

1×4 HDMI Extender Splitter

User manual



Disclaimer

The product name and brand name may be registered trademark of related manufactures. ™ and ® may be omitted on the user manual. The pictures in this user manual are just for reference. The terms HDMI, HDMI High-Definition Multimedia Interface, and the HDMI Logo are trademarks or registered trademarks of HDMI Licensing Administrator, Inc. We reserve the rights to make changes without further notice to a product or system described herein to improve reliability, function or design.